

JCM INDUSTRIES

P. O. Box 1220, Nash, TX 75569-1220

Phone 800-527-8482 or 903-832-2581

Fax 800-874-9524 or 903-838-6260

www.jcmindustries.com

Typical Specification

JCM 6132 All 316 Stainless Multi-Band Clamps (sizes through 8")

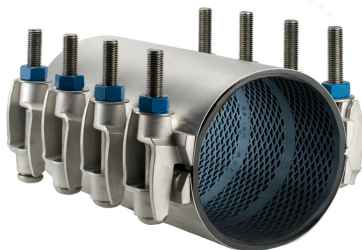
All full circumferential multi-band repair clamps 4" through 8" shall have a minimum material standard of certifiable prime 316 stainless steel band; low profile CF-8M Cast Stainless Steel lugs (equivalent to 316 stainless steel) with mutually supporting sliding fingers, permanently welded to the band; minimum 5/8" replaceable, 316 stainless steel oval neck track head bolts and nuts, and a Styrene-Butadiene Rubber (SBR) gridded gasket with tapered lap joint ends and a 304 stainless steel bridge plate molded flush into the gasket. Gaskets in sizes 4" and larger shall be 1/4" thick. Clamps shall be JCM 6132 All Stainless Clamp or approved equal.

JCM 6132 All 316 Stainless Multi-Band Clamps (sizes 10" and larger)

All full circumferential multi-band repair clamps 10" and larger shall have a minimum material standard of 17 gauge certifiable prime 316 stainless steel band; heavy duty, low profile CF-8M Cast Stainless Steel lugs (equivalent to 316 stainless steel) with mutually supporting sliding fingers, permanently welded to the band; minimum 3/4" replaceable, 316 stainless steel oval neck track head bolts and nuts, and a Styrene-Butadiene Rubber (SBR) gridded gasket with tapered lap joint ends and a 304 stainless steel bridge plate molded flush into the gasket. Lugs shall be heavy duty design providing a minimum 1/2" working range. Clamps shall be JCM 6132 All Stainless Universal Clamp Coupling or approved equal.

JCM 6100 Series Clamps are ANSI/NSF Standard 61, Annex G and ANSI/NSF Standard 372 Certified.

JCM 6100 Series Universal Clamp Couplings meet or exceed ANSI/AWWA C230 Standard for Stainless –Steel Full-Encirclement Repair and Service Connection Clamps as applicable.



JCM 6132 All 316 Stainless Steel Universal Clamp Coupling

This typical specification, provided by JCM Industries, is a proposed guideline for use by specifying agencies to ensure significant design and material features of this product are included within the agencies' individual specifications.



Certified to
NSF/ANSI/CAN 61
& NSF/ANSI 372

Effective 02.01.21

JCM INDUSTRIES

P. O. Box 1220, Nash, TX 75569-1220

Phone 800-527-8482 or 903-832-2581

Fax 800-874-9524 or 903-838-6260

www.jcmindustries.com

Material Specification

JCM 6132 All 316 Stainless Steel Universal Clamp Couplings

Band: 18-8 Type 316 Stainless Steel

Lugs: CF-8M Cast Stainless Steel (equivalent to 316 Stainless Steel)

Bolts: 18-8 Type 316 Stainless Steel

Gasket: Virgin Styrene-Butadiene Rubber (SBR) - Compounded for use with water, salt solutions, mild acids and bases. Per ASTM D-2000 M4AA 607. Standard temperature range from -40° to 150°F (-40° to 65° C) constant, maximum intermittent 180° F (82° C). For applications on high temperatures or chemical pipelines, contact JCM Industries Technical Services. Armor plate 304 stainless steel.

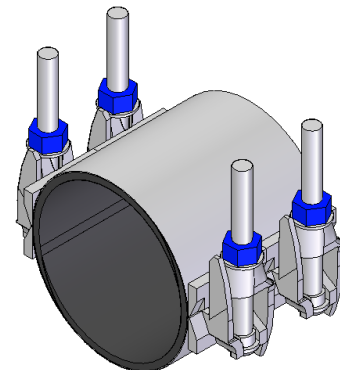
Tapped Outlet

(Model 134): 18-8 Type 316 Stainless Steel

JCM 6100 Series Clamps are ANSI/NSF Standard 61, Annex G and ANSI/NSF Standard 372 Certified.

For ranges and widths, see JCM Industries General Product Directory Catalog.

Information based on data available at the date printed below and subject to change without notice. Contact JCM Industries for amendments or changes.



Certified to
NSF/ANSI/CAN 61
& NSF/ANSI 372

Effective 02.01.21

JCM INDUSTRIES

P. O. Box 1220, Nash, TX 75569-1220

Phone 800-527-8482 or 903-832-2581

Fax 800-874-9524 or 903-838-6260

www.jcmindustries.com

JCM 6132 All Stainless Extended Range Double Band Universal Clamp Coupling Design Specifications Sizes 4" – 20"

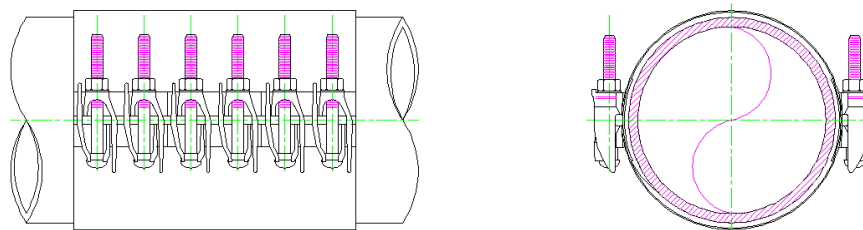
Clamp Width (Inches)	Number of Bolts
6	4
7	4
12	8
15	8
18	12
24	16
30	20

Clamp Size (Inches)	Stainless Band Gauge
4 - 8	20
10 and larger	17

Clamp Size (Inches)	Gasket Thickness
4 and larger	1/4"

Clamp Size (Inches)	Bolt Size
4 – 8	5/8"
10 and larger	3/4"

Design specifications for Multi-Band Clamps 24" and larger are available upon request.



Certified to
NSF/ANSI CAN 61
& NSF/ANSI 372

Effective 02.01.21