

# JCM INDUSTRIES

P. O. Box 1220, Nash, TX 75569-1220

Phone 800-527-8482 or 903-832-2581

Fax 800-874-9524 or 903-838-6260

[www.jcmindustries.com](http://www.jcmindustries.com)

## Typical Specification

### JCM 416 Weld On Tapping Outlet

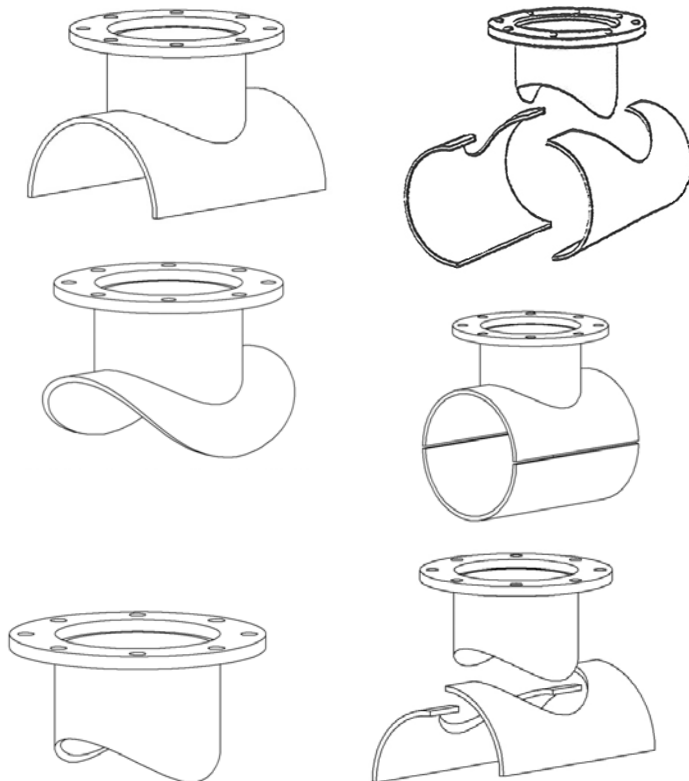
### JCM 417 Weld On Tapping Sleeve

Tapping Sleeves shall be the high strength type made of a minimum material strength of ASTM 285 Grade C, ASTM A-36 Steel or equal. Flanged outlet shall be AWWA C207 Class D, ANSI 150 lb. drilling, recessed for tapping valve per MSS-SP60, outlets 2" – 12" rated for 175 PSI\* maximum operating pressure. Tapping Sleeve shall be furnished with corrosion resistant shop coat paint primer.

\*Higher test and working pressure ratings available upon request, contact JCM Industries.

JCM 400 Series Tapping Sleeves are ANSI/NSF Standard 61 and Standard 61 Annex G Certified.

JCM 400 Series Tapping Sleeves meet MSS-SP124 and ANSI/AWWA Standard C223 Fabricated Steel and Stainless Steel Tapping Sleeves as applicable.



Custom built Weld On Fittings are available in a variety of designs to be suit the application and end user needs. Contact JCM for specific submittal information.

*This typical specification, provided by JCM Industries, is a proposed guideline for use by specifying agencies to ensure significant design and material features of this product are included within the agencies' individual specifications.*



Effective 07.16.10

# JCM INDUSTRIES

P. O. Box 1220, Nash, TX 75569-1220

Phone 800-527-8482 or 903-832-2581

Fax 800-874-9524 or 903-838-6260

[www.jcmindustries.com](http://www.jcmindustries.com)

## Material Specification

### JCM 416 Weld On Tapping Outlet

### JCM 417 Weld On Tapping Sleeve

**Body:** ASTM 283 Grade C, ASTM 285 Grade C, ASTM A-36 Steel or equal.

**Flange:** AWWA C207 Class D, ANSI 150 lb. Drilling, recessed for tapping valve per MSS-SP60.  
Optional flanges available upon request.

**Finish:** Heavy coat of corrosion resistant shop coat primer.

### Service

**Rating:** 2" to 12" Outlets: 175 PSI. Higher service rating available for specific applications and sizes.



Effective 07.16.10