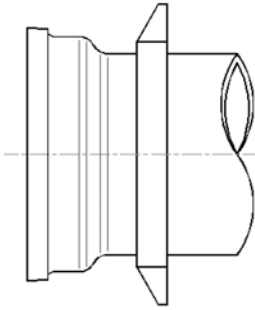


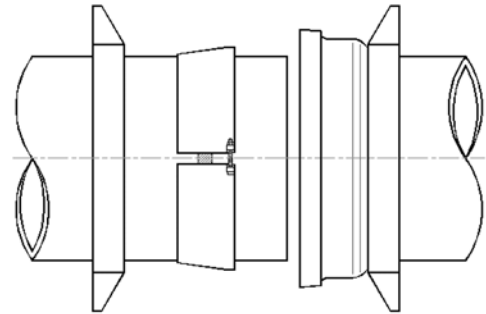
### Model 620 Bell Joint Restrainer Ductile Iron Pipe

**NOTE: DO NOT REMOVE WOOD SPACER - SEE INSTRUCTION STEP #2**

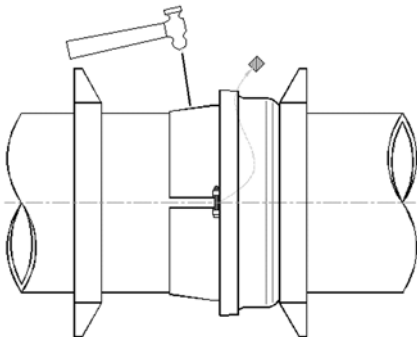
Clean and scrape pipe. Remove any scale, pipe wrap, debris or dirt that may interfere. Inspect pipe for integrity, size, outside diameter and surface irregularities. Confirm the proper size and range of restrainer. Inspect fitting to ensure all parts are included.



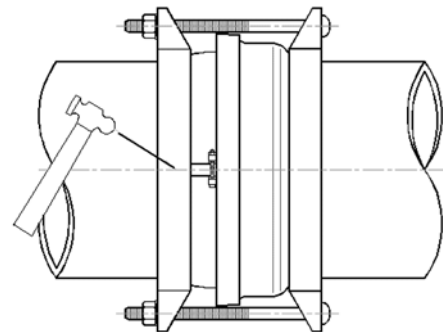
- 1) Slide one casing gland down the pipe barrel to seat against the bell slope (larger opening toward bell).



- 2) In order, slide the second casing gland and inner serrated ring onto the pipe spigot - connect the bell and spigot per standard pipe installation practices.



- 3) Position inner serrated ring against the bell face and remove the wooden spacer; tighten the positioning pin firmly (using allen wrench provided) until ring seats securely on pipe. Hammer-set inner serrated ring at several places around ring and re-tighten the positioning pin firmly.



- 4) Slide the casing gland onto the inner serrated ring. Insert oval-neck bolts through corresponding gland holes and tighten to 65 ft./lbs. Hammer-set the casing gland (that is positioned over the inner serrated ring) at several places around the gland and tighten the nuts to 150 ft/lbs.

**NOTE: IF PIPE IS OUT OF ROUND, ROTATE FITTING UNTIL THE BEST FIT IS ACHIEVED. Pipe O.D.'s must be within industry set tolerances for proper restrainer installation.**

\*Ensure fitting is suitable for application (confirm size, materials, pressure ratings, line content, meets local governing & association standards, etc.). Pipeline operation forces, including pressure fluctuations, thermal expansion/contraction, movement/shifting, etc. will influence the success of the application. Inspection of the pipe integrity is the responsibility of the end user. JCM recommends the use of calibrated torque wrench. Failure to follow installation instructions will result in voided product warranty.

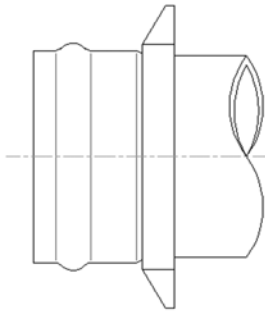


## Installation Instructions

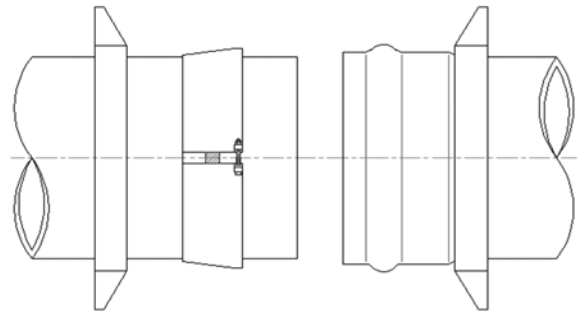
### Model 620 Bell Joint Restrainer IPS PVC, C-900 PVC Pipe

**NOTE: DO NOT REMOVE WOOD SPACER - SEE INSTRUCTION STEP #2**

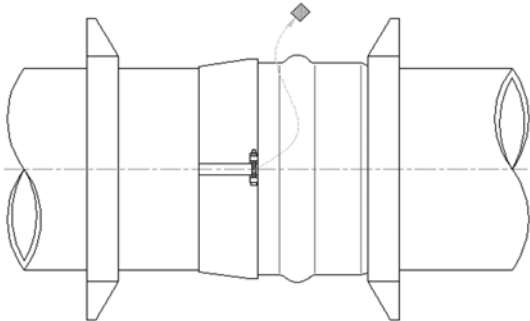
Clean and scrape pipe. Remove any scale, pipe wrap, debris or dirt that may interfere. Inspect pipe for integrity, size, outside diameter and surface irregularities. Confirm the proper size and range of restrainer. Inspect fitting to ensure all parts are included.



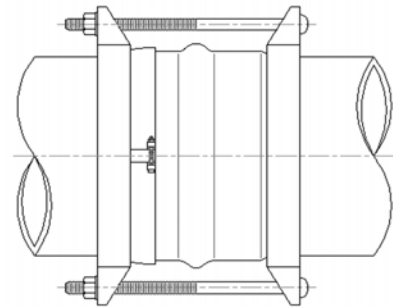
- 1) Slide one casing gland down the pipe barrel to seat against the bell slope (larger opening toward bell).



- 2) In order, slide the second casing gland and inner serrated ring onto the pipe spigot - connect the bell and spigot per standard pipe installation practices.



- 3) Position inner serrated ring against the bell face and remove the wooden spacer; tighten the positioning pin firmly (using allen wrench provided) until ring seats securely on pipe.



- 4) Slide the casing gland onto the inner serrated ring. Insert oval-neck bolts through corresponding gland holes and tighten to 65 ft./lbs.

**NOTE: IF PIPE IS OUT OF ROUND, ROTATE FITTING UNTIL THE BEST FIT IS ACHIEVED. Pipe O.D.'s must be within industry set tolerances for proper restrainer installation.**

\*Ensure fitting is suitable for application (confirm size, materials, pressure ratings, line content, meets local governing & association standards, etc.). Pipeline operation forces, including pressure fluctuations, thermal expansion/contraction, movement/shifting, etc. will influence the success of the application. Inspection of the pipe integrity is the responsibility of the end user. JCM recommends the use of calibrated torque wrench. Failure to follow installation instructions will result in voided product warranty.