

JCM INDUSTRIES

P. O. Box 1220, Nash, TX 75569-1220

Phone 800-527-8482 or 903-832-2581

Fax 800-874-9524 or 903-838-6260

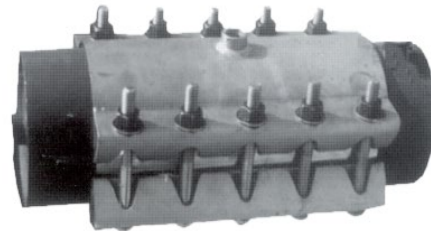
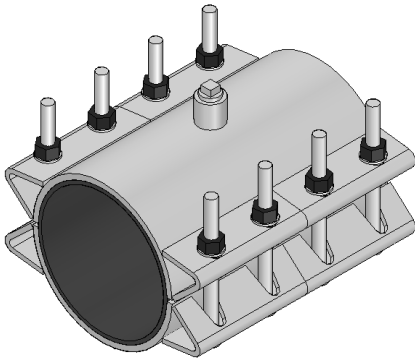
www.jcmindustries.com

Typical Specification

JCM 136 Heavy Duty All Stainless Repair Clamp Coupling

All heavy duty repair clamps shall have a minimum material standard of 14 gauge certifiable prime 304 stainless steel construction. Clamps shall have a triangular lug design with bolts on 3" centers. Bolts shall be the pass-through, replaceable type to avoid alignment problems and allow tightening from either side of the pipe. Bolts shall not be integrally welded to the sleeve. Bolts shall be minimum 5/8" 304 stainless steel track head type furnished with permanently lubricated heavy hex nuts and stainless steel washers. The full circumferential gasket shall be molded of synthetic rubber compounded for use with water salt solutions, mild acids, bases and sewage. The gasket shall have a gridded surface, be a full 1/4" thick with 304 stainless steel bridge plates molded flush into the gasket. Clamps shall be fully passivated to insure corrosion resistance. Heavy duty clamps shall be JCM 136 All Stainless Steel Heavy Duty Repair Clamp Coupling or approved equal.

JCM 100 Series Universal Clamp Couplings are ANSI/NSF Standard 61, Annex G and ANSI/NSF Standard 372 Certified.



Effective 01.30.19

JCM INDUSTRIES

P. O. Box 1220, Nash, TX 75569-1220

Phone 800-527-8482 or 903-832-2581

Fax 800-874-9524 or 903-838-6260

www.jcmindustries.com

Material Specification

JCM 136 Heavy Duty All Stainless Repair Clamp Coupling

- Body:** Stainless Steel 18-8 Type 304. Optional 316 Stainless Steel.
- Lugs:** Stainless Steel 18-8 Type 304. Optional 316 Stainless Steel.
- Bolts:** Stainless Steel 18-8 Type 304. Optional 316 Stainless Steel.
- Gasket:** Virgin Styrene-Butadiene Rubber (SBR) - Compounded for use with water, salt solutions, mild acids and bases. Per ASTM D-2000 M4AA 607. Standard temperature range from -40° to 150°F (-40° to 65° C) constant, maximum intermittent 180° F (82° C). Optional EPDM gasket available. For applications on high temperatures or chemical pipelines, contact JCM Industries Technical Services.

JCM 100 Series Universal Clamp Couplings are ANSI/NSF Standard 61, Annex G and ANSI/NSF Standard 372 Certified.



Effective 01.30.19